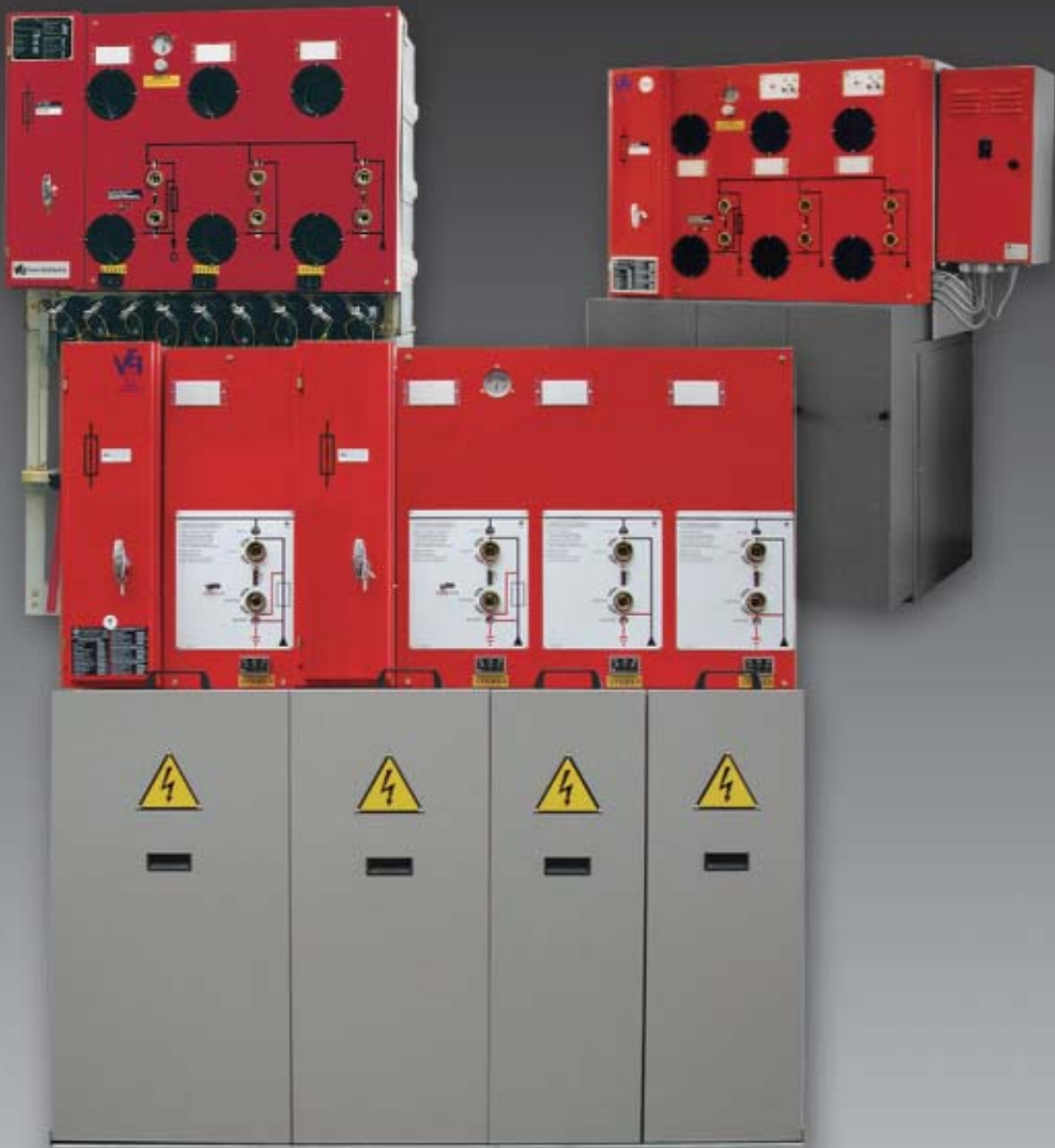
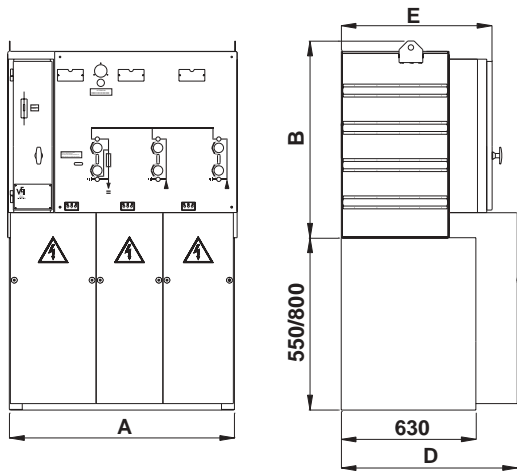




FLUSARC F

SF₆ INSULATED METAL ENCLOSED RING MAIN UNITS UP TO 24 kV

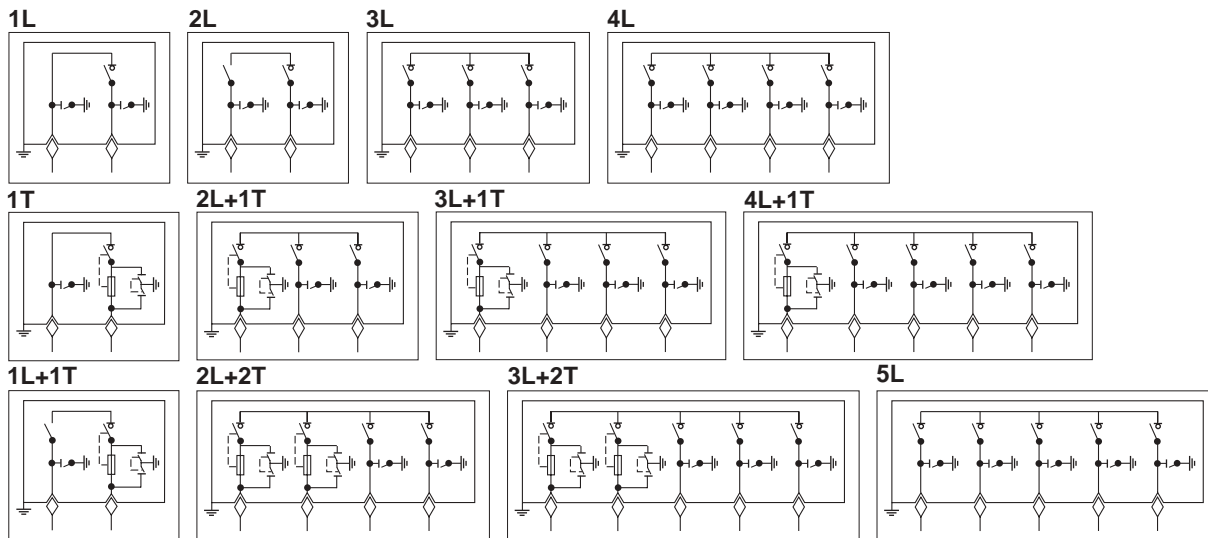




OVERALL DIMENSIONS AND WEIGHTS

Type	Lower Terminals			Front Terminals				Weights P (kg.)
	A (mm)	B (mm)	E (mm)	A (mm)	B (mm)	D (mm)	E (mm)	
1L	735	765	632	735	865	825	632	110
1T	760	765	704	760	865	825	704	260
1L+1T	760	765	704	760	865	825	704	370
2L	735	765	632	735	865	825	632	240
2L+1T	1045	765	704	1045	865	825	704	390
2L+2T	1545	765	704	1545	865	825	704	540
3L	1045	765	632	1045	865	825	632	340
3L+1T	1363	765	704	1363	865	825	704	470
3L+2T	1858	765	704	1858	865	825	704	600
4L	1380	765	632	1380	865	825	632	410
4L+1T	1690	765	704	1690	865	825	704	570
5L	1662	765	632	1662	865	825	632	480

ELECTRICAL DIAGRAMS



ELECTRICAL FEATURES

Rated voltage	Ur[kV]	12	17,5	24
Power frequency withstand voltage (50/60 Hz 1 min)	Ud[kV]	a) 28 b) 32	a) 38 b) 45	a) 50 b) 60
Rated lightning impulse withstand voltage	Up[kV]	a) 75 b) 85	a) 95 b) 110	a) 125 b) 145
Rated current	I _r [A]	630	630	630
Breaking capacity of active circuits (cos φ0,7) and ring circuits at 0,3V _n	I ₁ -I _{2a} [A]	630	630	630
Breaking capacity of no-load transformers	I ₃ [A]	25	25	25
Breaking capacity of no-load lines/cables	I _{4a} -I _{4b} [A]	25	25	25
Transfer current	I ₄ [A]	1700	1250	800
Short time withstand current 1 sec. on main circuits and earth circuits	I _k [kA]	12,5÷25	12,5÷25	12,5÷25
Short time withstand current 3 sec. on main circuits and earth circuits	I _k [kA]	12,5÷20	12,5÷20	12,5÷20
Making capacity LBS earthing switch	I _{ma} [kA]	31,5÷62	31,5÷62	31,5÷62
Short time current on earthing switch downstream of fuses	I _k [kA]	2	2	2
Making capacity on earthing switch downstream of fuses	I _{ma} [kA]	5	5	5
Internal arc withstand current 1 sec.	[kA]	12,5÷21	12,5÷21	12,5÷21
Water proof test 0,3 bar	[kV]	50kV x 1 min. - 24kV x 24 ore (hours)		
Electrical life test	-	500 cicli CO a 630A		

VEI S.p.A. reserves the right of bringing any modification due to technical and commercial reasons at any time. Therefore the information and pictures reported in the present issue are updated until the approval of printing.

VEI Power Distribution S.p.A.

Caseello 4 AUTOSOLE 26862 GUARDAMIGLIO (LO) ITALY
Tel. +39 0377-4171 r.a. - Fax +39 0377-451224
e-mail: vei@vei.it - http://www.vei.it